

# INSTALLATION INSTRUCTION

## FLOOR-STANDING SHOWER/BATH MIXER

### ITEM No.:37 2534C

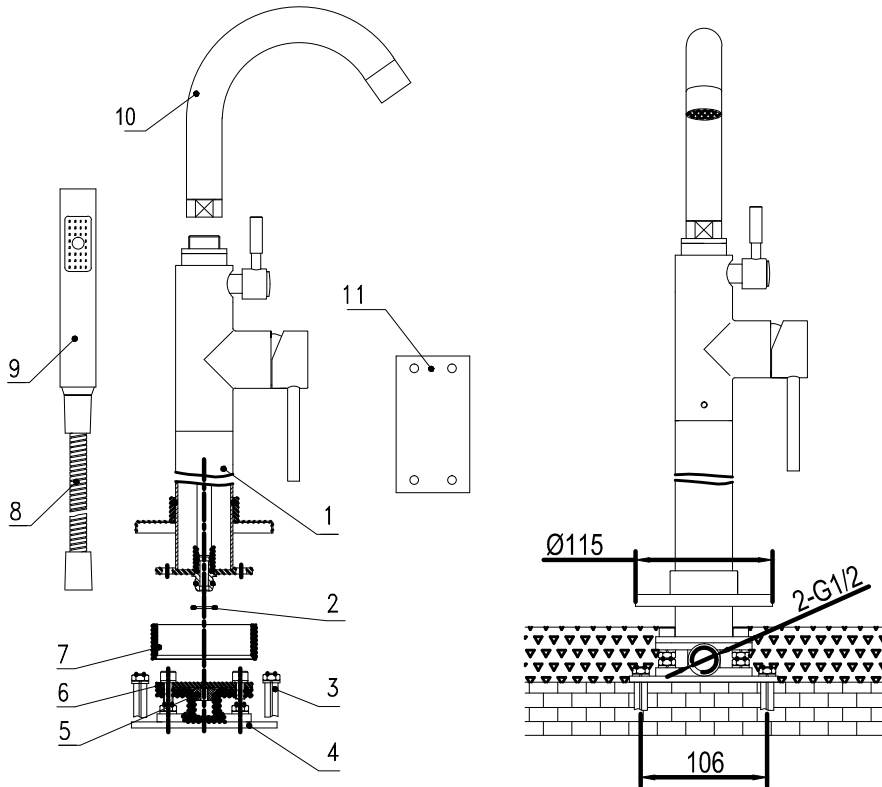
#### ※ ACCESSORIES CHECKING

##### LIST OF THE STANDARD ACCESSORIES:

Please double-check the accessory list hereinafter and contact our company or our distributor for any unconformity.

##### Remarks:

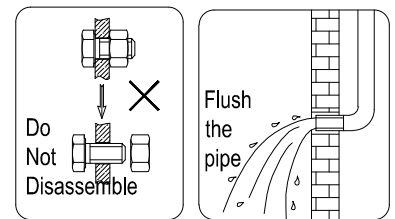
- 1, Without affecting their performing, accessories may be changed without further notice.
- 2, Drawings for reference only. Product size & shape refer to actual faucet.



The Accessory List	Qty.
1.Main body	1
2.Washer	2
3.Explosive screw	4
4.Connection seat	1
5. Taper gasket	2
6. Protective board	1
7.Plastic guard	1
8.Flexible hose	1
9.Handle shower	1
10.Outpipe unit	1
11.Template	1

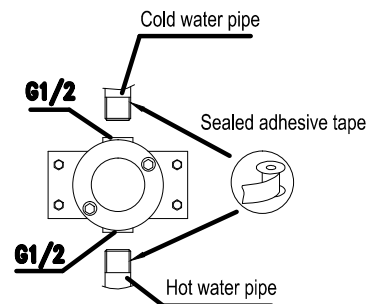
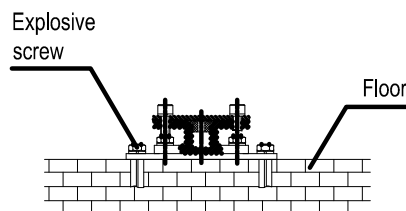
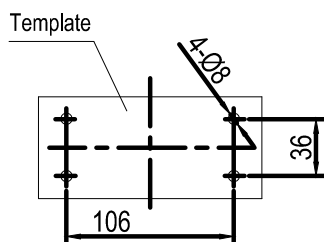
#### ※ Installation Instructions

- ☆ Do not disassemble the main body, as it has been installed & commissioned correctly & precisely before leaving the factory.
- ☆ To avoid the faucet from jamming, do flush the water pipe before installation.
- ☆ After installation, make sure every joint safely sealed & no leaking.
- ☆ Using condition: Working pressure at 0.05-1.0MPa (including cold & hot water pressure) with applicable water temperature: 4- 90°C.
- ☆ Make sure to connect the hot/cold inlet pipe correctly, if standing in front, hot water pipe connecting to the left & cold water pipe connecting to the right.

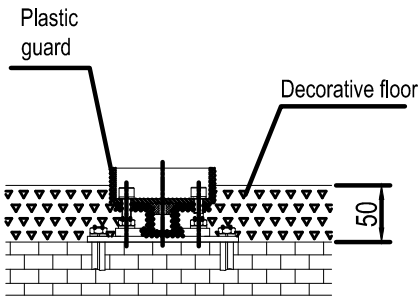


#### ※ Installation isteps:

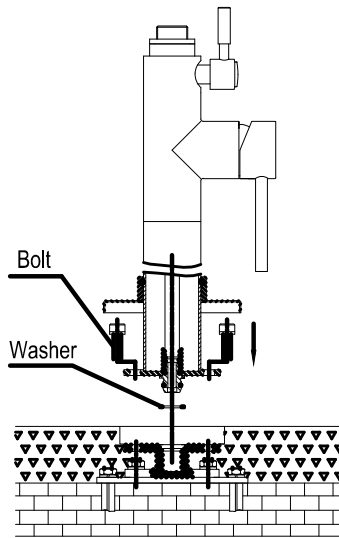
- ☆ Installation of Main body of the faucet:



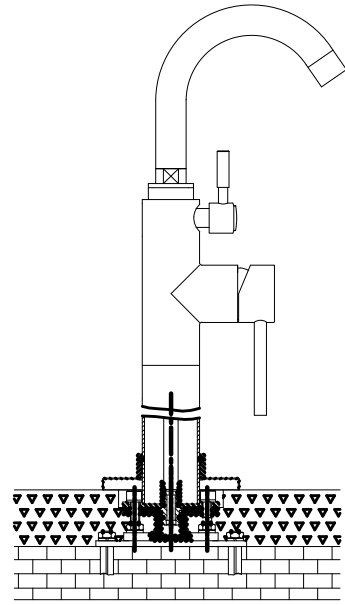
1. As shown on the Fig, first, ascertain the position by means of the template(11), and drill 4-Ø8 holes (deeper than 60mm).



2. Take away the template(11), aim at the hole of the Connection seat(4) to the pre-drilled hole, drive in 4 Explosive drawing(3), then fix the Connection seat(4) on the floor.



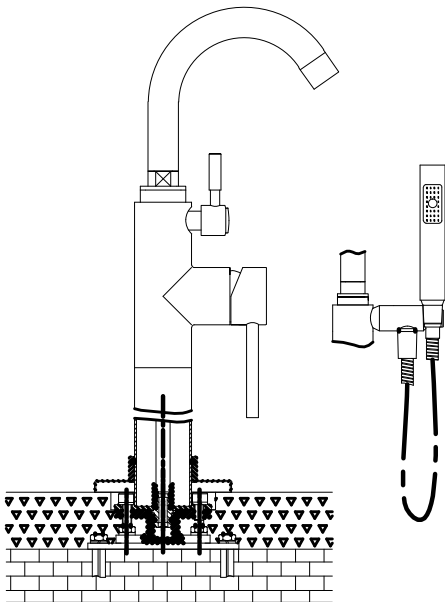
3. Stick the Sealed adhesive tape on the end of water pipe, and connect the settled water pipes with the connection seat (4)(Hot water pipe must be on the left).



4. After connecting the water pipe with the connection seat(4), make the water trial while turn on the switch. Invaginate the connection seat(4) to the plastic guard(4) after make sure to be without leakage. Then, as shown on the above Fig, spread the decorative floor.

5. After flooring, take away the plastic guard(7), unscrew the bolt, take away the taper gasket(5) and the protective board(6), Then install the main body(1) as shown on the Fig.

6. After installed the main body(1), install the outpipe unit(10) as shown on the above Fig.



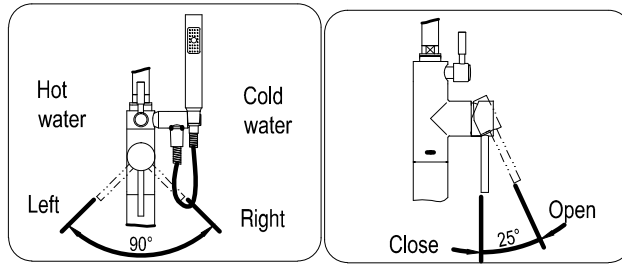
8. Water testing and clean the faucet: When all the installation is completed, please put through water and clear the dirty things left in the faucet and pipes, and effect water testing. Suggest that take apart handle shower before the first putting through water, then clean the faucet and resemble back to effect water testing. When effecting water testing, the leakage are not allowed in every joints. Please check the following Usage for reference.

7. Connect the Flexible hose(8) and handle shower (9) with Main body Assembly(1), and place the Shower handle(9) on the Shower Hook.

### Usage:

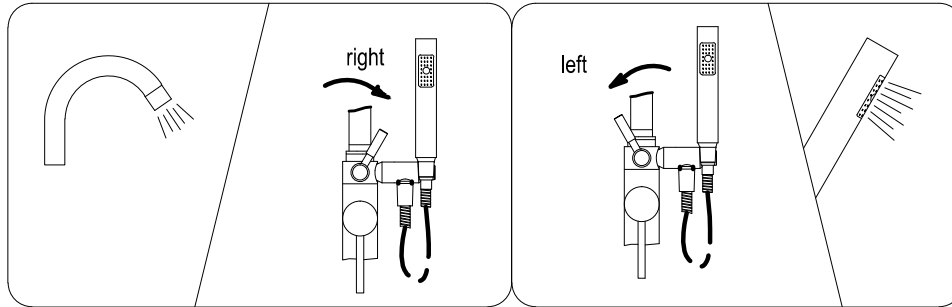
☆The usage of handle:

- A) Raise the handle to make the water flow out, contrarily the water flow will stop.
- B) Turn the handle to the left, the hot water flow will be stronger; contrarily the temperature of the water will decrease.



☆ The usage of the shower converting assembly:

When the faucet is turned on, if the handle of the shower converting assembly is on the right side, water falls from the Outpipe unit, on the contrary, the water comes from the handle shower.



※ **Cleaning & Maintenance**

☆ To keep the product clean & shining, follow the steps as below:

1. Flush with clean water & dry with soft cloth only;
2. If any dirt, clean with soft liquid or transparent glass detergent.
3. Do not use any scrubbing detergent, polisher, sand-cloth, paper tissue or scraper.
4. Do not use acid detergent, indissolvable grain-like detergent or soap.

